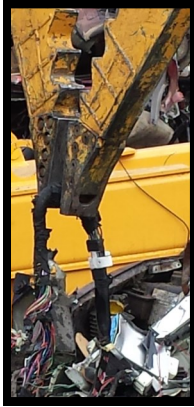


EXTRACT EVERY POUND OF REVENUE

EXTREME™ Auto Processing



INCREASE CASH RECOVERY FROM FULLY PROCESSING SCRAP AUTOS FAST & SIMPLE INSTALLATION

- Hold down arms engineered to pin to existing dozer mount & use existing undercarriage hydraulics*.
- Grapple of SAS™ EXTREME™ Scrap Metal Recovery Attachment pins directly to factory stick mount

EXTRACT MORE POUNDS & GENERATE MAXIMUM REVENUE:

- Garner more pounds of precious metals:
 - **Copper** wiring, radiators, heater core, alternators, starters
 - **Aluminum** condensers, a/c evaporators, intake manifolds
 - Engines and transmissions
- Multiply your revenue by separating metals from car bodies.



ENGINEERED & BUILT FOR OPTIMUM PERFORMANCE:

- Rotating head with *Patented* jaws that provide combination of:
 - **Aggressive** teeth for engine pulling (*Patented*)
 - **Needle nose** type tip for wire harness retrieval
 - **Penetrate tight** areas with speed & accuracy with streamlined smooth exterior shape
 - Replaceable needle nose tips (*Patented*)
 - Hard facing on jaw teeth
 - Hardened pins and bushings and grease-able pivot points for extend service life.
 - Hydraulic cylinder on rotating head is protected to minimize potential damage.
- Wire stripper V to clean up harnesses (*Patented*)

VIDEO ONLINE:

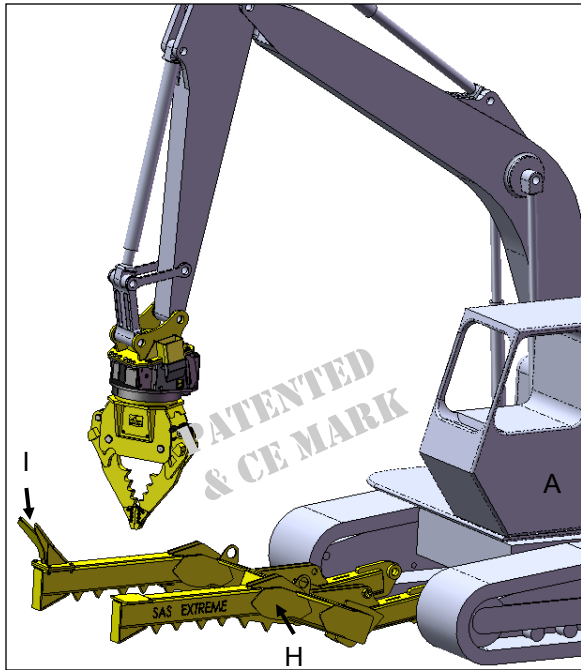
- <https://www.sasforks.com/extreme>

BEST SUITED FOR: Rubber tire or track ecvators 14-31 metric tonnes.

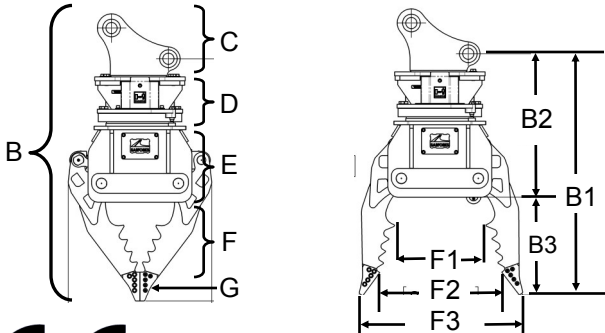
- 14-31 Metric Tonne (15-35 US ton) weight track or wheeled excavator (fits both with & without dozer blade models)
- Two auxilary hydraulic functions plumbed to the end of the stick for rotating head with jaws
 - Grapple: Bi-directional fuild circuit, return not free flow to tank, 31 Mpa (4,500 psi), 130 L/min (35 gpm)
 - Rotator: Bi-directional fluid circuit, return not free flow to tank, 31 Mpa (3,600 psi), (flows on next page)
- Hydraulic function required to operate holddown, from either dozer blade, outriggers or available diverter valve.
- Operator cab should have safety glass windshield and protective steel mesh to protect operator
- Information & specifications presented herein are for illustration only. Actual specifications are subject to change.

EXTRACT EVERY POUND OF REVENUE

EXTREME™ Auto Processing



Item		Standard-25	Large-vH-35
A- Excavator Weight	Metric tonne US ton	14-23 (15-26)	20-31 (26-35)
B- Head Assembly: Grapple & rotator		1,180 kg (2600 lb)	1,837 kg (4050 lb)
B1- Total head height		1,700 mm (68")	1,980 mm (78")
B2- Stick mount & rotator		1,000 mm (40")	1,220 mm (48")
B3- Jaw depth		700 mm (28")	760 mm (30")
C- Stick mount		yes	yes
D- Rotator subassembly		yes	yes
Rotator torque		7,000 Nm (61,954 in-lb)	7,000 Nm (61,954 in-lb)
Hydr. Pressure required: Max.		250 Bar (3,600 psi)	250 Bar(3,600 psi)
Hydr. Flow required: Max.		40 L/min (10 gpm)	40 L/min(10 gpm)
E- Heavy duty protective cylinder enclosure:		yes	yes
Hydr. Pressure required: Max.		310 Bar(4,500 psi)	310 Bar(4,500 psi)
Hydr. Flow required: Max.		130 L/min(35 gpm)	130 L/min(35 gpm)
F- Patented Jaws with synchronization:		yes	yes
F1- Inside jaw clearance		660 mm (26")	1320 mm (52")
F2- Inside jaw opening		878 mm (34")	1470 mm (58")
F3- Outside jaw reach		1,174 mm (46")	1830 mm (72")
G- Replaceable tips (Patented)		yes	yes
H- Hold Down Arms		yes	yes
Weight (estimated)		1,100 kg (2,390 lb)	
H1- Fixed outside width		1,500 mm (60")	
H2- Fixed inside work space		1,200 mm (48")	
H3- Range of lift motion (estimated)		0-1,800 mm (0 to 72" high)	
H4- Individual arm size		150 x 250 mm 2,100 mm (6" W x 10" T x 84" L)	
I- Wire harness stripping-v (Patented)		yes	yes
J- Installation pins		no	no
K- Optional Hinge & 2 Cylinders (if no dozer)		no	no
L- Color		yellow	yellow
M- Hydraulic requirements existing on equipment:			
		• 2 bi-directional hydraulic functions on stick.	
		• 1 bi-directional hydraulic function to lower car-body frame.	



Model: Standard-25

Specifications subject to change.

Customer Sign X: _____ Date: ___/___/___

Customer responsible for labor, hoses, modifications to pressures, valves, cylinders, reinforcing of lower x-frame, or other work required for excavator to accommodate hold down installation & operation.

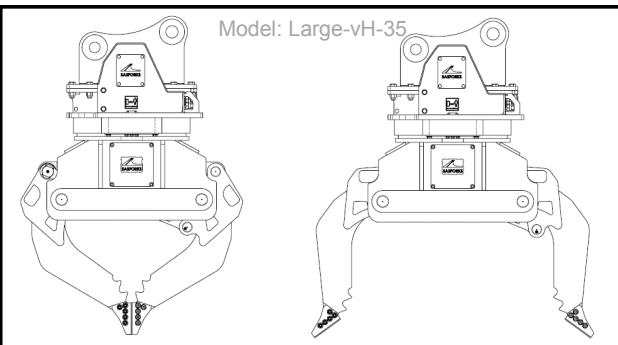
U.S.A. Patents: 9,211,832,B1; D672,369S; D704,752S; D740,861S; D747,170; D779,564,.; D779,565, 9,414,704

Contact:

BWQ:

S.A.S. of Luxemburg, LLC.
133 Center Drive, Hwy 54, PO Box 260
Luxemburg, WI 54217-0260 USA
USA Phone: 920-845-2198
USA Fax: 920-845-2309
International: 00+1-920-845-2307 ext 110

Email Paul: paul@sasforks.com
Email Adam: adam@sasforks.com
Web Site: www.sasforks.com



Model: Large-vH-35