



SORT AT POINT OF GENERATION MOVE & DUMP MATERIALS



DUMPSTERS FOR WHEEL LOADERS WITH QUICK COUPLERS

Site Sorting, Accumulate, Lift, Move, Transfer & Dump

DUMPSTER IS DESIGNED TO ALLOW SIMPLE HANDLING & TRANSPORT OF DEBRIS

- Increases **safety** by providing for direct quick coupler engagement and locking for transport
Eliminates unsafe lifting and transport of truck boxes or containers sliding off forks
- Enables **local collection** of components near processing area
Eliminates need for duplicate containers and pallets
- Promotes **clean** work stations and cleanliness work habits by providing organized bins
Eliminates need for use of old damaged truck boxes or repurposed pallets
- Enables **quick transfer** of components to your next process station or bulk transfer trailer
Eliminates duplicate chaining, lifting & moving of individual of engines and trans.
- Enables **versatile attachment** for easy moving
Eliminates need to have additional loader or skid steer in work area.

DURABLE CONSTRUCTION

- Light-Duty all steel construction.
- Skid plates to prevent bottom wear
- Drain holes to prevent water from filling bottom.

MULTIPLE USES

- Copper Wire
- Core Engines
- Mulch
- Construction Debris
- Plastics
- Transmissions
- Recyclables
- Demolition Material

SIMPLE ATTACHMENTS INSTALLATION & REMOVAL

- Simply hook quick coupler to the rear of dumpster and you are ready to go.
- Optional quick coupler brackets (ISO, JRB, Fusion, etc.) for direct coupler to loader

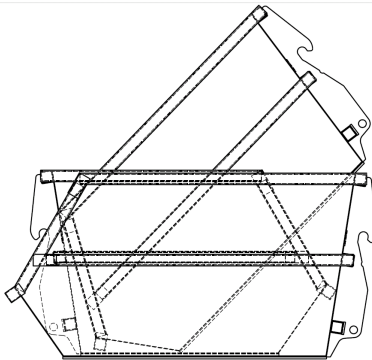
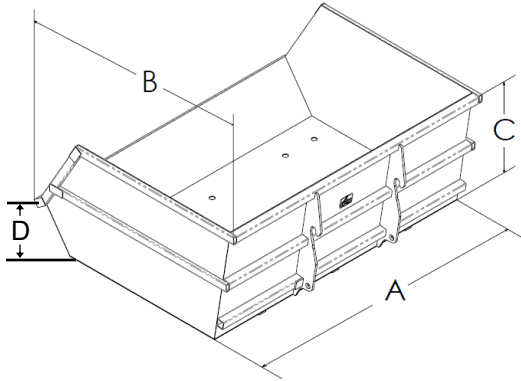
SAS FORKS are trusted to handle over 12 Million lifts annually!

BEST SUITED FOR:

20,000 to 40,000 lb Wheel loaders with quick coupler. Not available in direct pin attach.



SORT AT POINT OF GENERATION MOVE & DUMP MATERIALS



Sample shipping configuration for varied size units.

OVERALL DUMPSTER SIZE

Approximate cubic yard size	6.5 yd	7.5 yd	9 yd
A-Overall bucket width	110"	103"	117"
B-Overall total depth <small>Depth dependent on quick coupler type. Maximum overall depth including to back of coupler bracket is 96" due to shipping.</small>	77"	93.5"	93.5"
C-Overall side & back height	48"	48"	48"
D-Overall dump side height	19"	19"	19"
E-Approx. dumpster weight (lbs.)	1,400	1,600	1,700
F-Approximate lift capacity (lbs.)	5,000	5,000	5,000
G-Standard exterior paint color <small>(black, blue, green and orange available for an added cost)</small>	Yellow	Yellow	Yellow
H-Holes (floor drain holes) yes/no:	yes	yes	yes
I - Custom sizes available	(A) ____ x (B) ____ x (C) ____ x (D) ____		
J-Mounting method to wheel loader <small>(__JRB / __Volvo / __Cat / __ACS/ __Balderson)</small>			

Notes:

Customer Sign X: _____ Date: ___/___/___
Measurements may vary for engineering, if critical please note as "critical".

Contact:

S.A.S. of Luxemburg, LLC.
133 Center Drive, Hwy 54, PO Box 260
Luxemburg, WI 54217-0260 USA

Phone: 920-845-2198
Fax: 920-845-2309

Email Adam: adam@sasforks.com
Email Mark: mark@sasforks.com
Email Paul: paul@sasforks.com

Web Site: www.sasforks.com

BWQ:

CAPACITY CONSIDERATIONS Load Center:
Max Load desired? _____ # @ _____
What is the material intended to move? _____
Quantity of material _____ Weight of each _____
ORDERING MULTIPLE QUANTITY DUMPSTERS? Yes / No / n/a
Is varying size for shipment stacking acceptable? Yes / No / n/a
MACHINE: Make _____ Model _____
Machine curb weight? _____ lb
Serial Number _____
DUMP VARIABLE: D above indicates front dump edge height.
Due to material differences, machine dump height and tilt angle this may impede material from exiting dumpster.
Is standard 19" ok? Yes / No; If No, what height is preferred? _____
ATTACHMENT: Quick Coupler; model _____ series _____