

IMPROVED NON-FERROUS RECOVERY

SAS PINCER Auto Processor



Made in USA

INCREASE CASH RECOVERY FROM FULLY PROCESSING SCRAP AUTOS

FAST & SIMPLE INSTALLATION

- Hold down arms engineered to pin to excavator x-frame (with existing dozer blade mounts).
- Machines with no dozer blades can be equipped with a SAS Forks supplied hinge mount.
- SAS™ Pincer Auto Processor head pins directly to stick mount or pin grabber/quick coupler.

EXTRACT EXTRA POUNDS & GENERATE MAXIMUM REVENUE:

- **Copper** wiring, radiators, heater core, alternators, starters.
- **Aluminum** condensers, a/c evaporators, intake manifolds and subframes.
- Engines and transmissions.
- Multiply your revenue by separating metals from car bodies.

BUILT FOR HARD WORK:

- Rotating head with curved jaws to allow ease of entry into engine compartment and dash area.
- Hard facing on sides of jaw improve wear reduction.
- Grease-able pivot points for extend service life.
- Hydraulic cylinders body protected by structural framework shoulders.
- Wire stripper V to clean up harnesses. (*Patented*)
- Wide opening to grasp larger material.

VIDEO ONLINE:

- <https://www.sasforks.com>

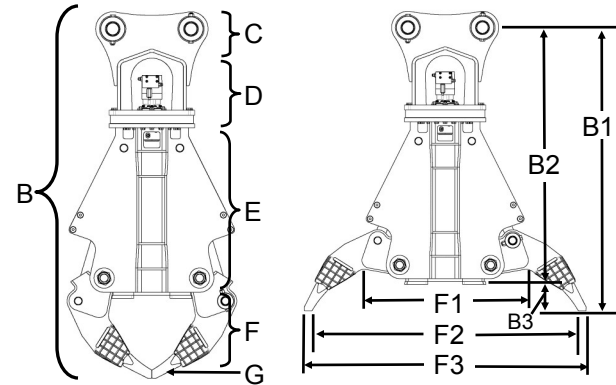
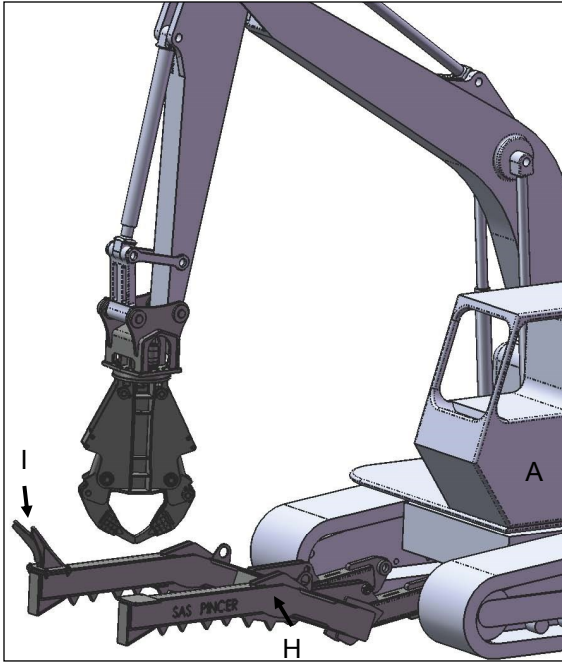
BEST SUITED FOR: Tracked or Rubber tire excavators 14-31 metric tonnes.

- Track or wheeled excavator (fits both with & without dozer blade models)
- Two auxiliary hydraulic functions plumbed to the end of the stick for rotating head with jaws
- Grapple: Bi-directional fluid circuit, return not free flow to tank, 21 Mpa (3,000 psi), 130 L/min (35 gpm)
- Rotator: Bi-directional fluid circuit, return not free flow to tank, 14 Mpa (2,000 psi), (flows on next page)
- Hydraulic function required to operate holddown, from either dozer blade, outriggers or available diverter valve.
- Operator cab should have safety glass windshield and protective steel mesh to protect operator
- Information & specifications presented herein are for illustration only. Actual specifications are subject to change.



IMPROVED NON-FERROUS RECOVERY

SAS PINCER Auto Processor



Item	Metric tonne	Pincer	Optional
A- Excavator Weight	US ton	14-31 (15-35)	
B- Head Assembly: Grapple & rotator		1,111 kg (2450 lb)	
B1- Total head height		1,854 mm (73")	
B2- Stick mount & rotator		1,676 mm (66")	
B3- Jaw depth		178 mm (7")	
C- Stick mount		yes	
D- Rotator subassembly		yes	
Rotator torque		1,313 Nm (11,617 in-lb)	
Hydr. Pressure required: Max.		138 Bar (2,000 psi)	
Hydr. Flow required: Max.		40 L/min (10 gpm)	
E- Heavy structural framework:		yes	
Hydr. Pressure required: Max.		207 Bar (3,000 psi)	
Hydr. Flow required: Max.		130 L/min (35 gpm)	
F- Jaws		yes	
F1- Inside jaw clearance		1,067 mm (42")	
F2- Inside jaw opening		1,727 mm (68")	
F3- Outside jaw reach		1,854 mm (73")	
G- Tips (welded on)		yes	
H- Hold Down Arms		yes	
Weight (estimated)		1,100 kg (2,390 lb)	
H1- Fixed outside width		1,500 mm (60")	
H2- Fixed inside work space		1,200 mm (48")	
H3- Range of lift motion (estimated)		0-1,800 mm (0 to 72" high)	
H4- Individual arm size		150 x 250 mm 2,100 mm (6" W x 10" T x 84" L)	
I- Wire harness stripping-v (Patented)		yes	no
J- Installation pins		no	yes
K- Optional Hinge & 2 Cylinders (if no dozer)		no	yes
L- Color		gray	n/a
M- Hydraulic requirements existing on equipment:			
• 2 bi-directional hydraulic functions on stick.			
• 1 bi-directional hydraulic function to lower car-body frame.			

Customer responsible for labor, hoses, modifications to pressures, valves, cylinders, reinforcing of lower x-frame, or other work required for excavator to accommodate hold down installation & operation.

Customer Sign X: _____ Date: ___/___/___

Contact:

S.A.S. of Luxemburg, LLC.
 133 Center Drive, Hwy 54—PO Box 260
 Luxemburg, WI 54217-0260 USA
 Phone: 1-920-845-2198
 Phone: 1-877-727-3675 (1-877-SAS-FORK)
 Fax: 1-920-845-2309
 Email Adam: adam@sasforks.com
 Email Mark: mark@sasforks.com
 Email Paul: paul@sasforks.com
 Web Site: www.sasforks.com

BWQ:

CAPACITY..... @Radius Over Side @ Lift Ht
 Of Machine? _____ # @ _____ ROS @ _____ Ht
 Load desired? _____ # @ _____ ROS @ _____ Ht
 Machine weight? _____ metric tonne US ton
MACHINE: Make _____ Model _____
Serial # _____
 Existing dozer blade..... Yes No
 Existing one auxiliary spool on stick Yes No
 Existing two auxiliary spools on stick Yes No
 (aux. spools cannot include pin grabber pilot)
Attachment: 2 Pin, Quick Coupler:
Mfg _____ Series _____ S/N _____