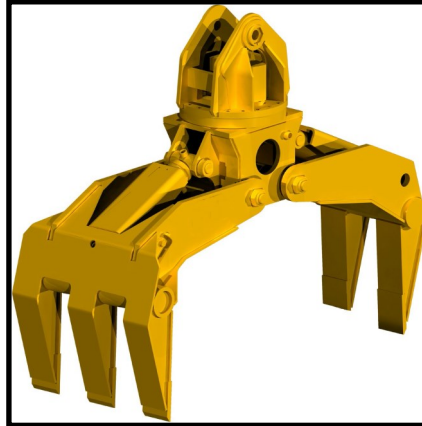


SAS 2/3-Tine Grapple



Made in USA

INCREASE MATERIAL HANDLING APPLICATIONS THROUGHPUT

FAST & EFFICIENT WORK

- Align grapple with load fast with 360° rotator for fast pick
- Grab ability to grasp uneven loads with independently acting hydraulic cylinders
- Maintains bale square edge shape integrity with internal squared profile tines
- Lift heavy loads with maximum clamping force with two hydraulic cylinders
- Achieve maximum cumulative loading weights with:
 - 360° rotating grapple allows effective load alignment and stacking
 - Tight stacking ability via external tapered tines

APPLICATIONS

- | | | | |
|-----------------------|----------------------------------|--------------|--|
| • Ferrous/Non-Ferrous | Scrap bale moving and stacking | C&D Waste | Loading onsite |
| • | Car body handling | | Transfer stations & sorting |
| • Logging | Log loading | Lot clearing | Cleanup after cutting trees |
| • | Saw mill handling | | Brush loading a chipper for mulch grinding |
| • Shoreline Repair | Rip-Rap placement & installation | | |

BUILT FOR HARD WORK

- Engineered Tough:
 - ▶ Heavy Duty Rotating head
 - ▶ Hydraulic cylinders protective guard
 - ▶ Heavy Duty upper hose guard
 - ▶ Wear resistant AR 500 tips
 - ▶ Heavy Duty Hardened pins

ENGINEERED FOR SERVICEABILITY

- Service Friendly:
 - ▶ Swivel type hydraulic cylinder fittings keep fittings tight, prevent loosening
 - ▶ Swivel manifold access
 - ▶ Grease-able pivot points for extended service life, zerks in protected location
 - ▶ Bolt on removal cylinder guards

BEST SUITED FOR

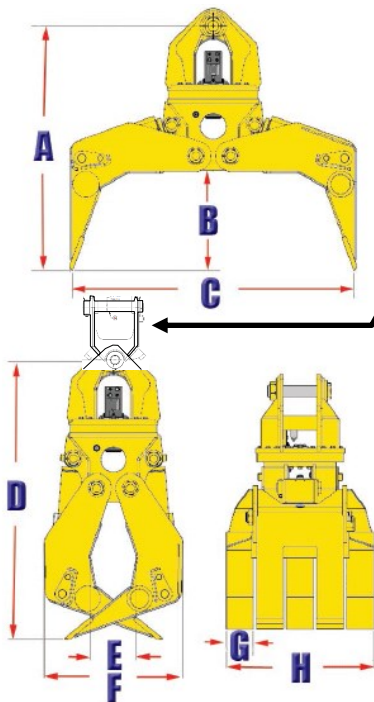
- Machine: Material handler, excavator or truck mounted material handling crane
- Hydraulics: Two auxiliary hydraulic functions plumbed to the end of the stick for rotating head and grabs



CONTROL LOAD POSITIONING

SAS 2/3-Tine Grapple

Model	Weight		(A)		(B)		(C)		(D)		(E)		(F)		(G)		(H)	
	Lbs.	Kg.	in.	mm	in.	mm	in.	mm	in.	mm	in.	mm	in.	mm	in.	mm	in.	mm
2/3 SG 20T	2,400	1,091	56	1,422	23	584	65	1,651	66	1,676	6.375	162	32.6	828	6.375	162	35	889



Selections:

Model 2/3 Cross over tine grapple: (part number) 0-GR-23SG-20T
 Tine Configuration: 2 interlock into 3
 Mount Type: (circle one) Swing—Wrist Stick— Coupler

Optional Items for swing mount (Must be itemized on quote):

Swing Mount Hanger Assembly (circle one) Yes— No
 Upper pin stick to hanger (circle one) Yes— No
 Lower pin hanger to grapple (circle one) Yes— No

Optional Items for wrist stick mount (Must be itemized on quote):

Stick mount (machined for 2 pin fit up)(circle one) Yes— No
 Stick pin (circle one) Yes— No
 H-link pin (circle one) Yes— No

Rotation: standard single motor Yes
 Option: dual motors (circle one) Yes— No

Grapple cylinders pressure standard: 3,000 psi Yes
 Color Yellow

Hydraulic requirements: 2 bi-directional hydraulic functions on stick.

- Grapple: Bi-directional 21 Mpa (3,000 psi), 95 L/min (25 gpm), ½" hose #8MJIC
- Rotator: Bi-directional 12 Mpa (1,800 psi), 23 L/min (6 gpm), ½" hose #8MJIC
(No case drain required)

Customer responsible to complete proof sheet measurements, for installation, labor, hoses, modifications to pressures, or other work required for installation & operation.

Customer Sign X: _____ Date: ___/___/___

(Information & specifications presented herein are for illustration only. Actual specifications are subject to change.)

Contact:

S.A.S. of Luxemburg, LLC.
 133 Center Drive, Hwy 54—PO Box 260
 Luxemburg, WI 54217-0260 USA
 Phone: 1-920-845-2198
 Phone: 1-877-727-3675 (1-877-SAS-FORK)
 Fax: 1-920-845-2309
 Email Adam: adam@sasforks.com
 Email Mark: mark@sasforks.com
 Email Vladimir: vladimir@sasforks.com
 Web Site: www.sasforks.com

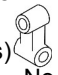
BWQ:

MACHINE: Make _____ Model _____
 Machine weight? _____ Metric tonne US ton

Guide: Maximum machine size: 29.5 Metric tonne, 32.5 US ton

Existing one auxiliary spool on stick (2 hoses) Yes No
 Existing two auxiliary spools on stick (4 hoses) Yes No
 (aux. spools cannot include pin grabber pilot)

Load material _____ Load Wt? _____ kg lb

Mount: 1 Pin swing..... Male link or Female link
 2 Pin wrist stick
 Quick Coupler (provide details) 

Coupler Mfg _____ Series _____ No. _____ 