



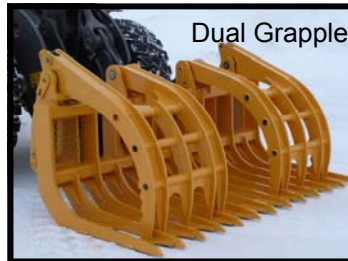
SCRAP GRAPPLE RAKE MOVES SCRAP WITH EASE



Fast Slide In & Grab



Lift, Move & Dump



Dual Grapple



Single Grapple



DESIGNED TO KEEP YOUR MATERIALS MOVING

- Enables **large and irregular shape item collection** off the ground
- Eliminates need to struggle with handling irregular scrap items
- Enables **quick transfer by securing load** of components with heavy grapple arm
- Eliminates duplicate chaining, lifting & moving of individual of items
- Enables **quick clean up** with rake design, allowing dirt or gravel to fall through rake tines

DURABLE CONSTRUCTION FOR LONG LIFE

- Heavy-Duty all steel construction.
- High tensile steel cutting edge for long term service
- Designed with reinforcements in critical areas.

MULTIPLE USE

- Scrap Metal
- Core Engines
- Logging Scrap Trimmings
- Refuse
- White Goods
- Transmissions
- Brush
- Recyclables

EASY ATTACHMENT INSTALLATION & REMOVAL

- Available with any common quick coupler compatible attachments
- For example: ACS, Balderson, Cat, John Deere Hi-Vis, JCB, JRB, SAS, Volvo & more.

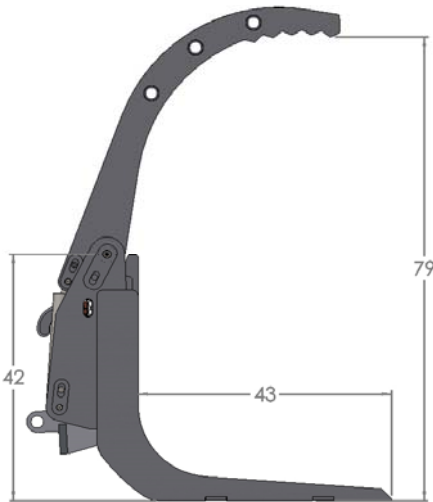
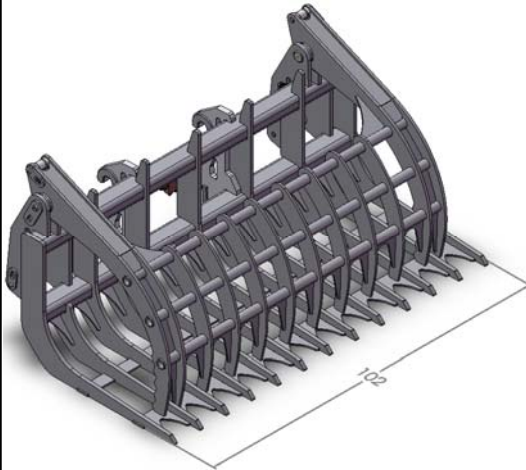
SAS FORKS are trusted to handle over 12 Million lifts annually!

BEST SUITED FOR:

- Wheel loader with 3rd hydraulic spool, 2,500-4,000 PSI, 15-20 GPM, Min $\geq 3/4$ " ID lines
- 25,000 to 38,000 lbs. wheel loader curb weight; (scrap rake grapple attachment 2,970# estimated wt)



SCRAP GRAPPLE RAKE MOVES SCRAP WITH EASE



Item	Standard	Custom
FORK SIZE & SPACING		
A-Rake tine length	43"	_____
B-Individual tine width	1"	_____
C-Space between tines	8"	_____
OVERALL CARRIAGE		
D-Carriage width	102"	_____
E-Carriage back height	42"	_____
GRAPPLE		
F-Overall grapple width	96"	_____
G-Grapple open height	79"	_____
H- Number of grapple arms	One	Two
HYDRAULIC CYLINDERS		
I-Two 4,000 PSI heavy duty cylinders	Yes	_____
CUTTING EDGE		
J- Weld on cutting plate	No	_____
K-Bolt on cutting edge	No	_____

SPECIAL NOTES:

Customer responsible to provide hydraulic lines and fittings to link the wheel loader to the connections on the Scrap Grapple.

Customer Sign X: _____ **Date:** ___/___/___

Measurements may vary for engineering, if critical please note as "critical".
I understand by my signature below, that the standard sizes are acceptable, unless custom sizes are clearly noted & standard sizes are crossed out. Upon fabrication of such, customer agrees to be fully responsible for any fit or function issues in the field.

Print Dealer Contact Person: _____

Contact:

BWQ:

SAS Forks

133 Center Drive HWY 54 - PO Box 260
Luxemburg, WI 54217-0260 U.S.A.
Phone: 920-845-2307 Fax: 920-845-2309
Email: sales@sasforks.com
Website: www.sasforks.com



CAPACITY CONSIDERATIONS **Load Center:**
 Max Load desired? _____ # @ _____
 Machine curb weight? _____ #

INTENDED TO USE:

White goods-scrap metal
 Salvage Yard clean up between rows_
 Logging operations brush clean up
 Other: _____

MACHINE: Make _____ **Model** _____
 Serial # _____

Attachment: **Fork Pockets** **Quick Coupler**
 Mfg _____ Series _____ S/N _____